

Figure 1

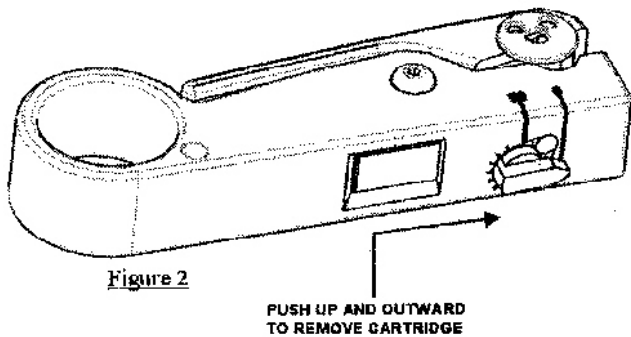


Figure 2

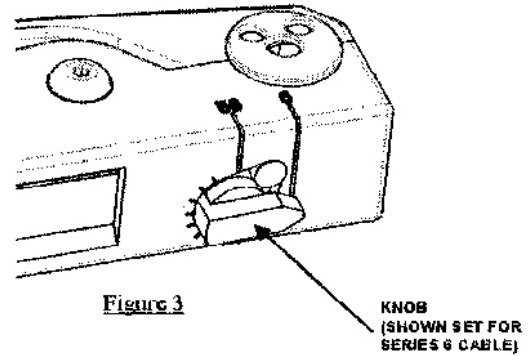


Figure 3

**CP CABLE PRO®**

**PSA59/6**

Cable Pro Coax Stripping Tool for both 6 and 59 Coaxial Cable

### Cable Preparation Instructions:

- 1) Turn adjustment knob on bottom of stripper to either 59 or 6 coaxial cable (see figure 3)
- 2) Open stripper jaws by pressing on the opposite end as shown in Figure 1.
- 3) Insert coaxial cable so that the cable is flush with the end of the wire gauge stop (Figure 1).
- 4) Release grip to close stripper jaws.
- 5) Turn the stripper 3 to 5 times in both directions to cut the cable.
- 6) While the jaws are still closed, pull the cable out of the stripper.
- 7) Open the jaws to remove the cut-off scraps of material.
- 8) Adjustment knob can be set at various positions for the best possible cut.

### Flaring Tool Instructions

A flaring tool may be required to make the prepared cable easier to insert into a connector. The adjustable stripping tool has a series 6 flaring tool built into the side (see figure 1).

### To replace the blade cartridge: (part # - PSCA59/6)

Open stripper jaws and push the button on the underside of the strip tool (Figure 2). Slide the cartridge out from the end of the stripper and remove. Insert the new cartridge into the slot until you hear it click into position.