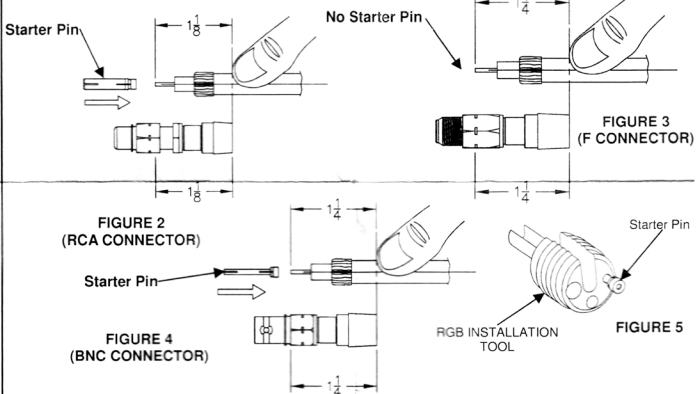


FIGURE 1

SPLICE/SNAP-ON CONNECTOR INSTALLATION INSTRUCTIONS

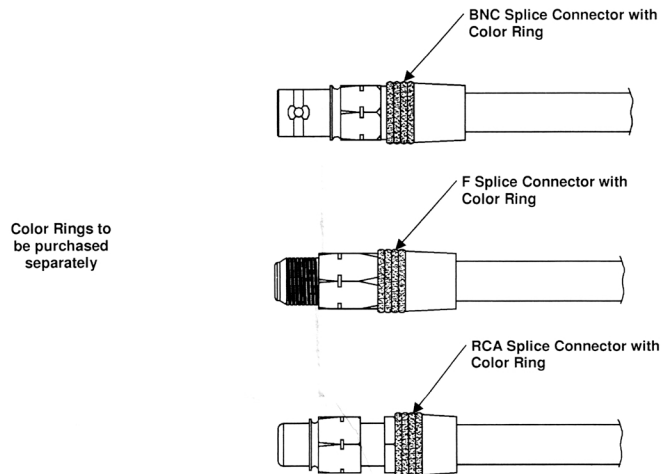
- Use an industry standard 1/4" x 1/4" cable prep tool. Assure that the braid is folded back onto the jacket as shown in Figure 1.
- The RCA and BNC connectors include a separate starter pin which eases the installation of the cable. The cable may be marked to assure complete installation.
- The F connector requires a mark on the cable to insure proper installation.
- Once the cable has been inserted, check to insure that the starter pin is in the proper location.

Mark the insertion length as shown in Figures 2, 3 or 4 depending on connector that is being used (Mark Length Determined by Connector Type) and install the starter pin (no starter pin on the F connector) to the cable using the RGB Installation Tool, Figure 5. Insert the marked cable into the connector until the mark reaches the end of the connector. The starter pin will be visible from the leading end of the connector once fully

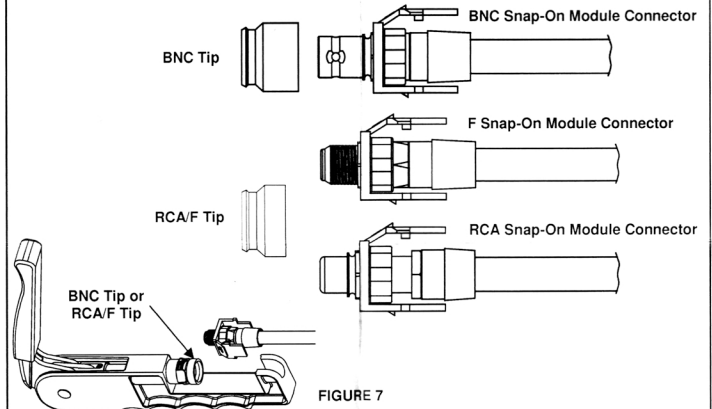


The starter pin for the BNC should be about 1/16" in from the end of the connector once it has been fully inserted.

Color Ring Usage with Splice Connectors

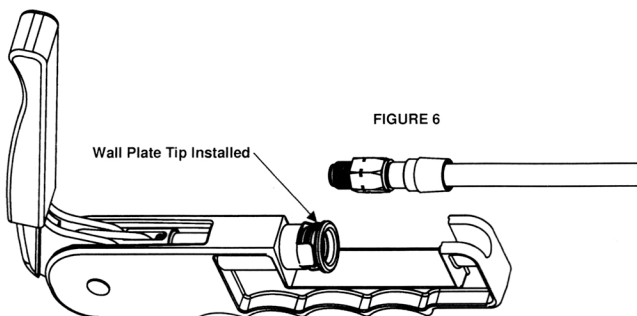


Snap-On Module Instructions



Place the Snap-On Module onto the connector, insert the assembly into the tool as shown in Figure 7 above. Grasp the body of the tool with your fingers and start to close the handle of the tool. As the handle closes, the plunger slides towards the slot. When the handle is completely closed against the body, the Snap-On Module has been fully installed.

Once the connector has been installed onto the cable, insert the assembly into the tool as shown in Figure 6 below. Grasp the body of the tool with your fingers and start to close the handle of the tool. As the handle closes, the plunger slides towards the slot. When the handle is completely closed against the body, the connector has been terminated.



Color O-Ring Usage with Module Connectors

