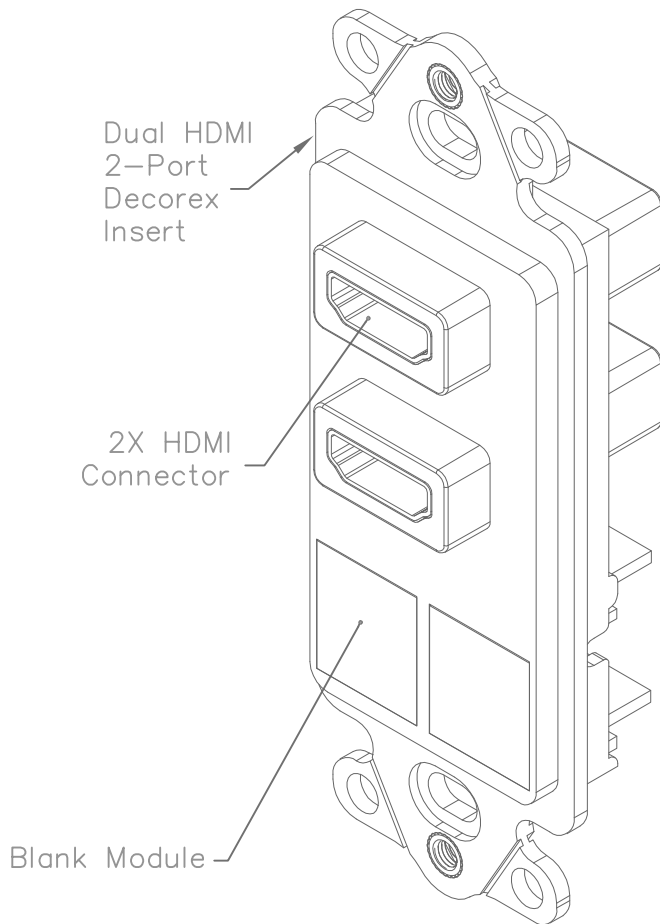


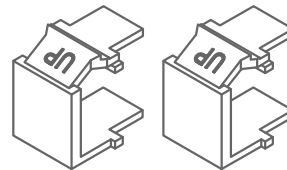
Dual HDMI with 2-Port Decorex Insert

PRODUCT SPECIFICATION

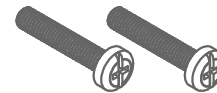


Package includes:

- A. Dual HDMI, 2-Port Decorex Insert, 1 pc
- B. Blank Module, 2 pcs



- C. #6-32 x 3/4" Pan Head Machine Screw, 2 pcs



Features and Benefits:

- Designed to distribute high quality video, audio and other communication needs with contemporary styling for commercial or residential applications
- HDMI (High Definition Multimedia Interface) connectors are ideal for high-definition video and audio devices
- Fits standard NEMA electrical boxes
- Rugged and durable construction
- Designed for a consistent look with standard decorator style faceplates
- Compatible with all IC107 Decorex faceplates
- Accommodates a wide variety of easy to snap-in modules, providing configuration flexibility
- Compatible with all IC107 HD modules
- Housing available in almond, black, ivory, and white

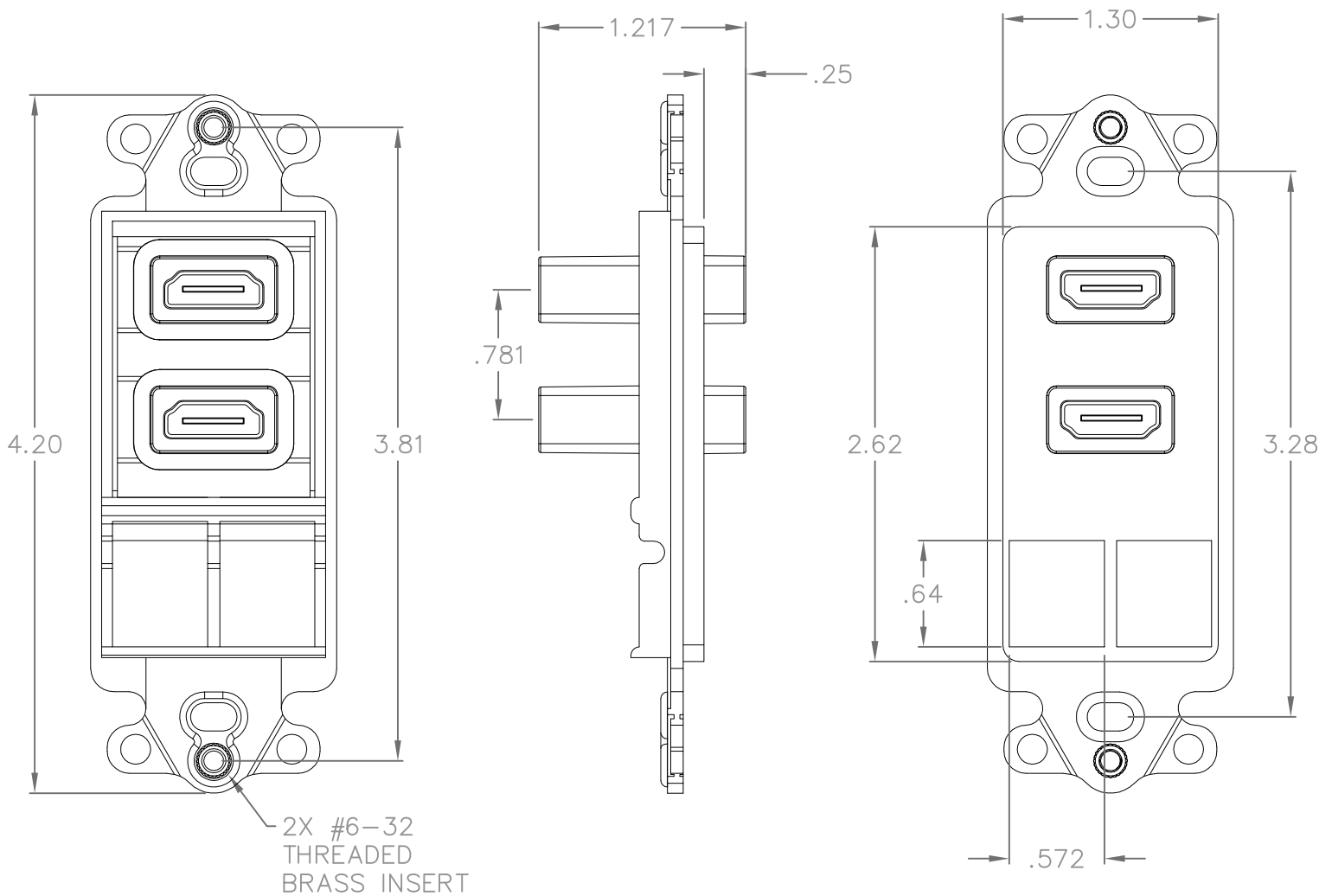
INSERT, DECOREX, DUAL HDMI, 2-PORT

ITEM NO.	IC107DDHXX
DWG NO.	PS107DDH00

REV.	B
PAGE NO.	1



CUSTOMER CARE / TECHNICAL SUPPORT * CSR@ICC.COM / 888-ASK-4-ICC (275-4422) * 16800 Edwards Road, Cerritos, CA 90703 * Phone 562-356-3111 * Fax 562-356-3100 * www.icc.com



NOTE: UNLESS OTHERWISE SPECIFIED

1. MATERIAL: ABS, UL 94V-0
2. COLOR: XX: AL-ALMOND, BK-BLACK, IV-IVORY & WH-WHITE
3. MECHANICAL:
 - A. FINISH: BRASS WITH FLUSH GOLD PLATING
 - B. PLASTIC COVER: PVC
4. ELECTRICAL:
 - A. DIFFERENTIAL IMPEDANCE:
 - CABLE AREA: 100 OHMS +/- 10
 - 100% OPEN SHORT MIS-WIRE TEST
 - B. CONTACT RESISTANCE: 2 OHM MAX.
 - C. INSULATION RESISTANCE: 10 MEGA OHM (MIN.)
 - D. WITHSTAND VOLTAGE: 0.1 SEC. DC 200V
 - E. HI-POT: AC 200V/ 1.0mA
 - F. INSTANTANEOUS OPEN/SHORT: 1 SEC.

INSERT, DECOREX, DUAL HDMI, 2-PORT

ITEM NO.	IC107DDHXX
DWG NO.	PS107DDH00

REV.	B
PAGE NO.	2



CUSTOMER CARE / TECHNICAL SUPPORT * CSR@ICC.COM / 888-ASK-4-ICC (275-4422) * 16800 Edwards Road, Cerritos, CA 90703 * Phone 562-356-3111 * Fax 562-356-3100 * www.icc.com