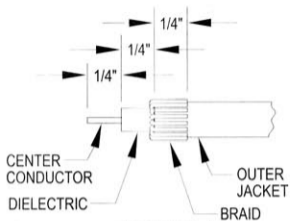


www.icmcorp.net

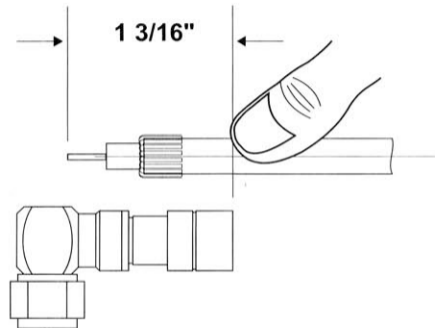
CABLE SERIES: 6  
TOOL: CPLCCT-LM or SLM  
TIP: LMTIP-RA  
STRIPPER: PSA59/6



**FIGURE 1**

## INSTALLATION INSTRUCTIONS

- Use an industry standard 1/4" x 1/4" cable prep tool. Assure that the braid is folded back onto the jacket as shown in Figure 1.
- This connector is a blind entry connector that requires a mark on the cable to insure proper cable insertion. Mark the cable length from the back of conductor using pen or thumbnail as shown in Figure 2.



**FIGURE 2**  
(RIGHT ANGLE CONNECTOR)